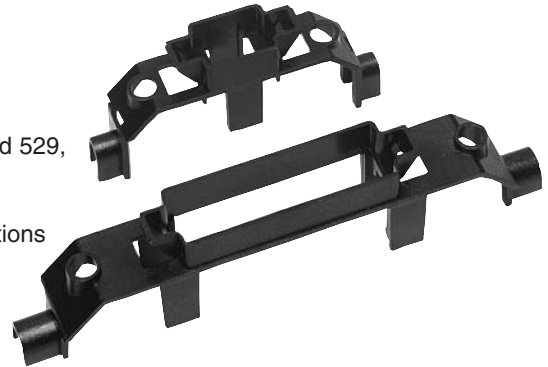


Fuse Holder Covers

Specifications:

- Material, Thermoplastic
- Thermal Rating, 125° C (RT1, per UL 746)
- Flammability, VO (per UL 94)
- UL Listed Accessories Under File No. E181825
- In Application, Protection is Consistent With IEC Standard 529, Designation IP2 (finger safe)*
- Opening Allows View of Self-Indicating Fuses
- Holes for Test Probes and Re-tightening of Wire Terminations
- Covers Fit Most Fuse Holder Brands



Catalog#:	For Use W/Fuse Holder#:	Fuse Type:	Voltage:	Amp:
CHR230	F30A/R30A	H/R	250	30
CHR260	F60A/R60A	H/R	250	60
CHR2100	RF100A/R100A	H/R	250	100
CHR630	6F30A/6R30A	H/R	600	30
CHR660	6F60A/6R60A	H/R	600	60
CHR6100	R6F100A/6R100A	H/R	600	100
CJ630	6J30A	J	600	30
CJ660	6J60A	J	600	60
CC630	6CC30	CC	600	30
CC660	6CC60	CD	600	60
CCM630**	6M30A/6CCM30A	MISC	600	30

* Applications involving fuse holders other than Marathon may not provide IP2 finger protection.

** Covers are recognized if used with recognized fuses.

Fuse Holder Covers

Catalog Name	Figure	A	B	C	D	E	F
CHR230	Fig 1	3.76	1.67	0.86	2.54	0.40	0.30
CHR260	Fig 1	5.80	2.16	1.07	3.66	0.47	0.42
CHR2100	Fig 2	7.38	2.41	1.49	4.90	0.38	0.46
CHR630	Fig 1	7.56	1.71	1.10	5.58	0.47	0.42
CHR660	Fig 1	8.30	2.37	1.35	6.32	0.35	0.42
CHR6100	Fig 2	9.34	2.45	1.49	6.90	0.38	0.46
CJ630	Fig 1	4.30	1.95	0.90	2.66	0.35	0.30
CJ660	Fig 1	5.04	2.07	1.35	3.10	0.35	0.42
CC630	Fig 3	3.83	1.69	0.74	2.34	0.34	0.30
CC660	Fig 1	4.58	1.95	0.90	2.66	0.35	0.42
CCM630	Fig 3	3.83	1.69	0.74	2.34	0.34	0.30

MM = Dim X 25.4

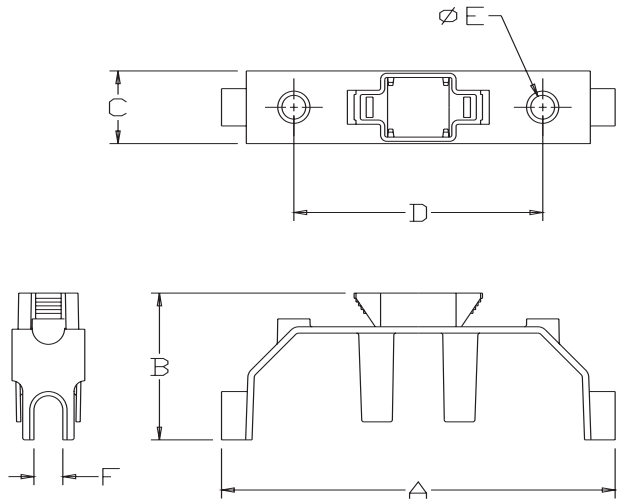


Figure 1:

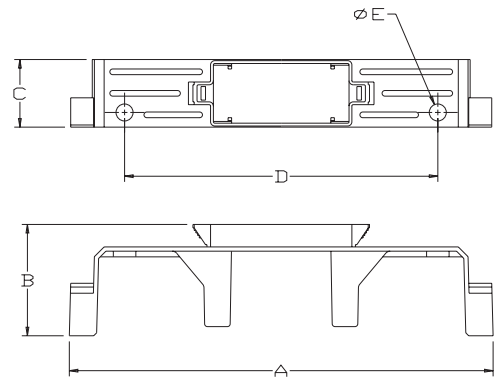


Figure 3:

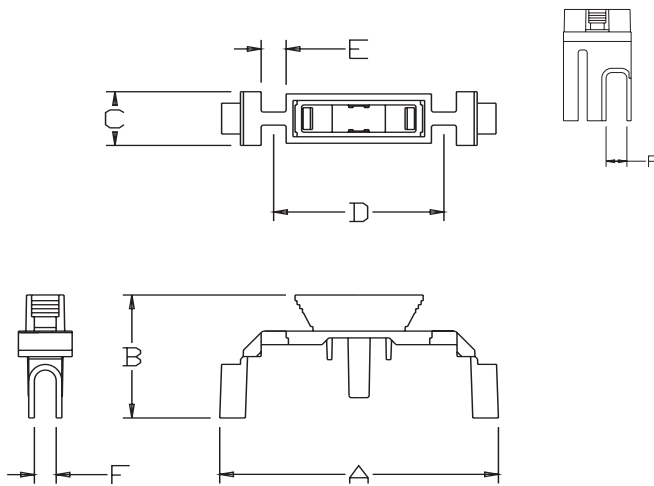


Figure 2:

DIN Rail Adapter

Accessory to Secure Surface Mount Devices on DIN Rail:

- DIN Adapter is Made of Acetal Resin Material
- High Mechanical Strength and Rigidity
- Good Resilience and Resistance to Creep
- Excellent Dimensional Stability
- Excellent Low Temperature Toughness
- Wide End-Use Temperature Range



Assembly Method:

- Press Adapter onto Rail, Fasten Component with #8 Self Tapping Screw (Screw Not Supplied)
- Assembly Locks Firmly onto DIN Rail
- The Adapter will Work with 140 Series, M Fuse Holder, Class G, Class CC, Class H 250A 30A, Class R 250V 30A Holders
- Consult Factory for Others

Catalog Number	Standard Package
DIN R-1	10

